

SB 33-12/SB 33-12i

12V 33.0Ah

SB 33-12/SB 33-12i is a general purpose battery with 6~9 years in standby service or more than 500 cycles at 50% depth of discharge in cycle service.

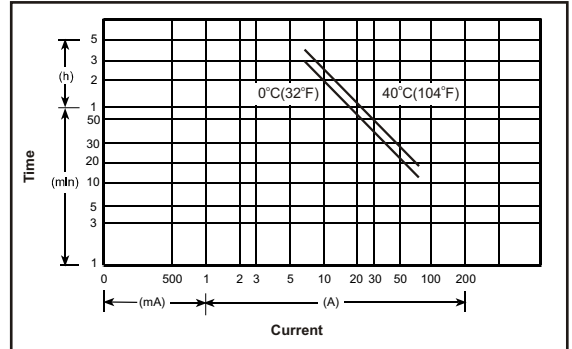
☆ SPECIFICATION

● NOMINAL VOLTAGE	: 12 V
● NOMINAL CAPACITY(20 hr)	: 33.0 Ah
● DIMENSIONS	
TOTAL HEIGHT	: 180 mm (7.09 inches)
CONTAINER HEIGHT	: 155 mm (6.10 inches)
LENGTH	: 196 mm (7.70 inches)
WIDTH	: 131 mm (5.16 inches)
● WEIGHT	: APPROX 10.5 Kg (23.1 lbs)
● CONTAINER MATERIAL	: UL94HB ABS
● INTERNAL RESISTANCE(25°C , 77 °F)	: ~10m
● DISCHARGE CAPACITY UNDER DIFFERENT TEMPERATURES	
40°C	: ~102%
25°C	: ~100%
0 °C	: ~85%

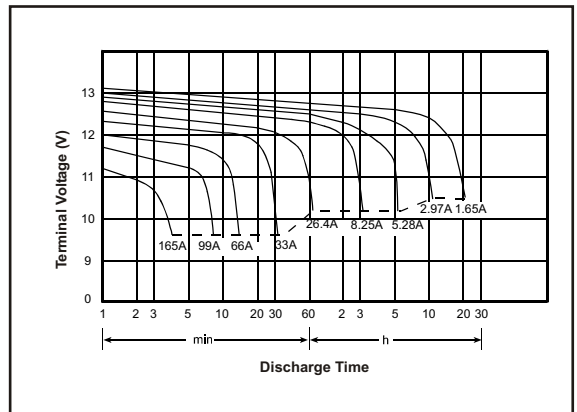
☆ CHARACTERISTICS

● CAPACITY 25 °C / 77 °F	
20 hr @ 1.65 A	: 33.0 Ah
5 hr @ .5.28 A	: 26.4 Ah
1 hr @ 19.8 A	: 19.80 Ah
1 C @ 33 A	: 16.5 Ah
● CHARGING VOLTAGE (25°C , 77 °F)	
STANDBY USE	: 13.65V±0.15 V
CYCLE USE	: 14.7V±0.3 V
● MAX DISCHARGE CURRENT	: 248 A (5 sec)
● MAX CHARGING CURRENT	: 9.9 A
● SELF-DISCHARGE RESIDUAL CAPACITY(25°C , 77 °F)	
AFTER 3 MONTHS	: ~90%
AFTER 6 MONTHS	: ~82%
AFTER 12 MONTHS	: ~64%

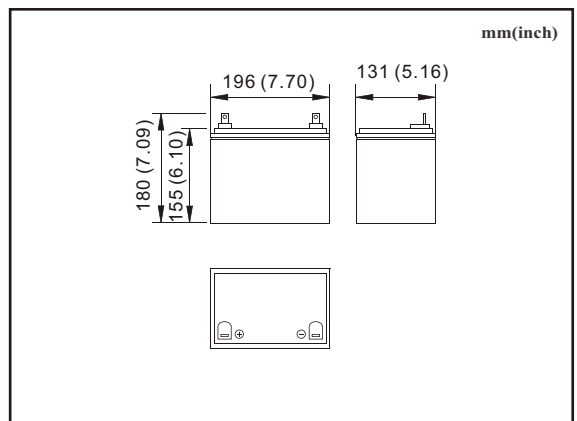
☆ Discharge Current vs Time



☆ Discharge Characteristics @25 °C (77 °C)



☆ Dimensions



☆ Terminal

