



# SBL 100-2i

## 2V 100Ah

SBL 100-2i is a High Performance battery with 10-12 years in standby service or more than 350 cycles at 50% depth of discharge in cycle service.

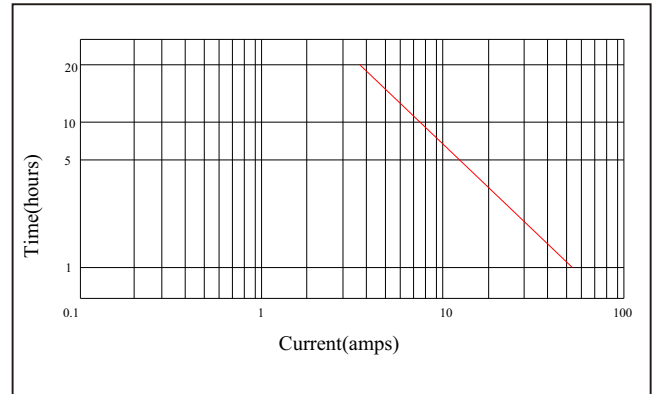
### ☆ SPECIFICATION

● NOMINAL VOLTAGE	: 2V
● NOMINAL CAPACITY(10 hr)	: 100Ah
● DIMENSIONS	
TOTAL HEIGHT	: 211 mm ( 8.31 inches )
CONTAINER HEIGHT	: 206 mm ( 8.12 inches )
LENGTH	: 171 mm ( 6.74 inches )
WIDTH	: 72 mm ( 2.84 inches )
● WEIGHT	: APPROX 7.2Kg ( 15.88 lbs )
● CONTAINER MATERIAL	: UL94HB ABS
	: UL94V-0 ABS
● INTERNAL RESISTANCE( 25°C , 77 °F )	: ~0.9m
● DISCHARGE CAPACITY UNDER DIFFERENT TEMPERATURES	
40°C	: ~102%
25°C	: ~100%
0 °C	: ~85%

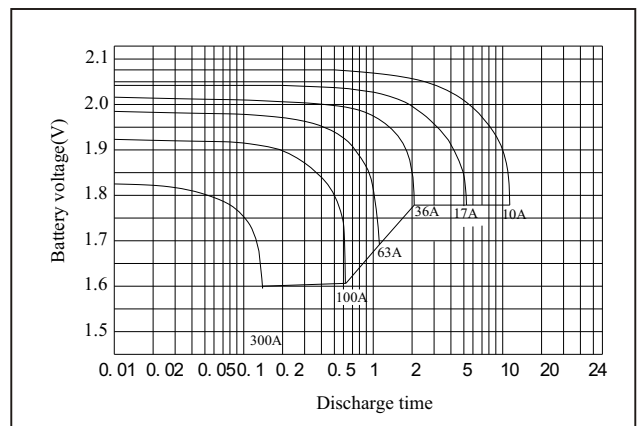
### ☆ CHARACTERISTICS

● CAPACITY 25°C/77°F	
10hr @ 10A	: 100 Ah
5hr @ 17A	: 85 Ah
1hr @ 63A	: 63 Ah
1C @ 100A	: 50 Ah
● CAPACITY 25°C/77°F	
STANDBY USE	: 2.25V~2.3V
CYCLE USE	: 2.35V ~2.45V
● MAX DISCHARGE CURRENT	: 500A (5sec)
● MAX CHARGING CURRENT	: 20A
● SELF-DISCHARGE RESIDUAL CAPACITY	
AFTER 3 MONTHS	: ~90%
AFTER 6 MONTHS	: ~82%
AFTER 12 MONTHS	: ~70%

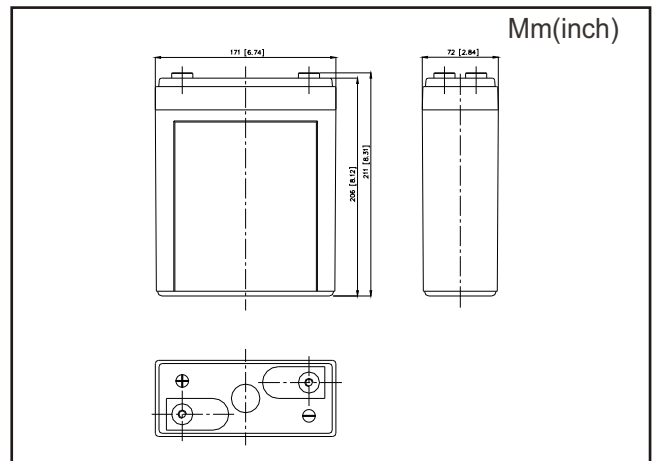
### ☆ Discharge Current vs Time



### ☆ Discharge Characteristics @25 °C (77 °F)



### ☆ Dimensions



### ☆ Terminal

