



# SBL 80-12i

## 12V 80Ah

SBL 80-12i is a high performance battery with 10-12 years lifetime in standby service or more than 400 cycles at 50% depth of discharge in cycle service.

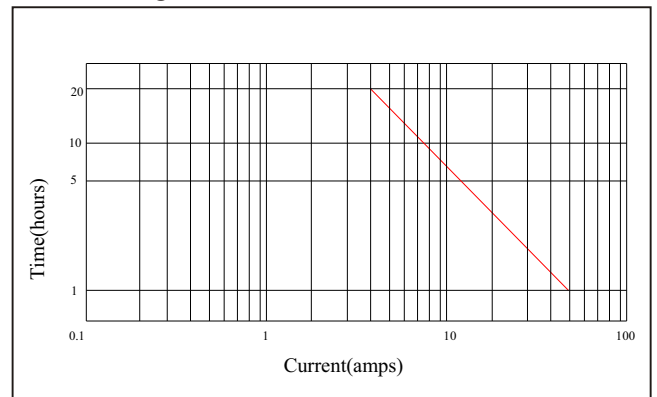
### ☆ SPECIFICATION

● NOMINAL VOLTAGE	: 12V
● NOMINAL CAPACITY(20 hr)	: 80Ah
● DIMENSIONS	
TOTAL HEIGHT	: 179 mm ( 7.05 inches )
CONTAINER HEIGHT	: 179 mm ( 7.05inches )
LENGTH	: 350 mm ( 13.8 inches )
WIDTH	: 167 mm (6.57 inches )
● WEIGHT	: APPROX 24Kg ( 52.9 lbs )
● CONTAINER MATERIAL	: UL94HB ABS
	: UL94V-0 ABS
● INTERNAL RESISTANCE( 25°C , 77 °F )	: ~5.5m
● DISCHARGE CAPACITY UNDER DIFFERENT TEMPERATURES	
40°C	: ~102%
25°C	: ~100%
0 °C	: ~85%

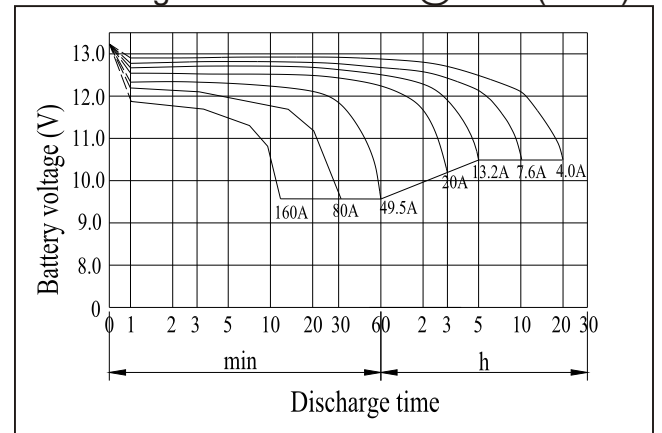
### ☆ CHARACTERISTICS

● CAPACITY 25°C/77°F	
20hr @ 4A	:80 Ah
5hr @ 13.2A	:66Ah
1hr @ 49.5A	:49.5 Ah
1C @ 80A	:40 Ah
● CAPACITY 25°C/77°F	
STANDBY USE	:13.65V±0.15V
CYCLE USE	:14.7V ± 0.3V
● MAX DISCHARGE CURRENT	:750A(5sec)
● MAX CHARGING CURRENT	:24A
● SELF-DISCHARGE RESIDUAL CAPACITY	
AFTER 3 MONTHS	:~90%
AFTER 6 MONTHS	:~82%
AFTER 12 MONTHS	:~70%

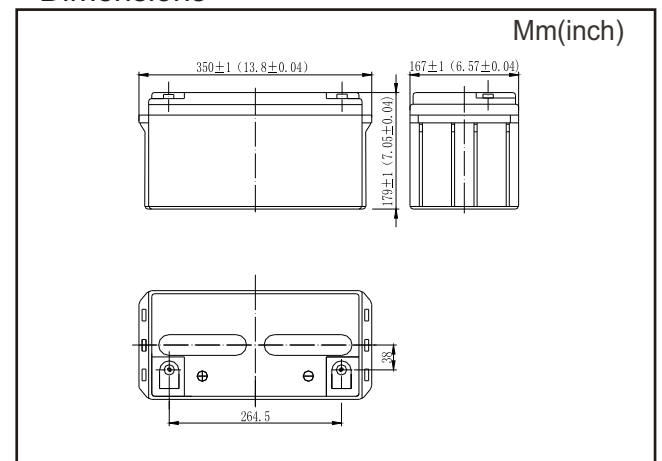
### ☆ Discharge Current vs Time



### ☆ Discharge Characteristics @25 °C ( 77 °F)



### ☆ Dimensions



### ☆ Terminal

