



## VRLA Battery **SPB 12-150**

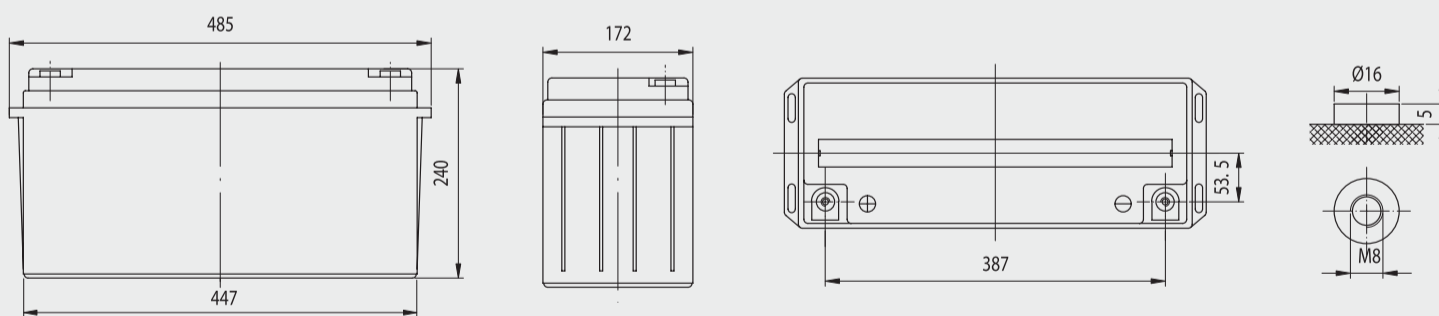
### Specifications

**Nominal Voltage** 12 V

Rated Capacity (25 °C)	20hr Rate (1,80V/cell)	10hr Rate (1,80V/cell)	5hr Rate (1,70V/cell)	1hr Rate (1,60V/cell)		
	164 Ah	150 Ah	133,5 Ah	94,3 Ah		
Dimensions (mm) & Weight (kg)	Length	Width	Height	Overall Height	Weight	
	485mm	172mm	240mm	240mm	47 kg	
<b>Number / Type of Terminals</b>	<b>2 / M8</b>					

### Technical Characteristics

<b>Design Life at 20°C</b>	10-12 years
<b>Eurobat Classification</b>	High Performance
<b>Internal Resistance (Fully charged - 25°C)</b>	3,7 mΩ
<b>Short-circuit current</b>	2700 A
<b>Max Charging Current</b>	45 A
<b>Min safe end Discharge Voltage</b>	1,60 V/cell
<b>Self discharge per month at 20°C</b>	3%
<b>Recommended Charging Voltage at 20°C</b>	Stand-by use (V/cell): 2,25 to 2,30 Cycle use (V/cell): 2,40 to 2,50
<b>Container Material</b>	ABS-UL94 HB
<b>Electrolyte Type</b>	Sulfuric Acid
<b>Type of plates / Alloy</b>	Flat plates / Lead-Calcium-Tin alloy
<b>Type of Separator</b>	Absorbant Glass Mat
<b>Valve Type / Operational Pressure</b>	Rubber / 1-3 psi (70-200 mbar)
<b>Operating Temperature Range</b>	-20 to + 50@C
<b>Storage time at 20°C</b>	9 months



#### SUNLIGHT SYSTEMS S.A.

##### Headquarters

23rd km. N.R. Athens-Lamia  
145 65 Ag. Stefanos, Attica, Greece  
Tel.: +30 210 6242000  
Fax : +30 210 6216911

##### Manufacturing Plant

Neo Olvio  
67 200 Xanthi, Greece  
Tel.: +30 25410 48100  
Fax : +30 25410 95446

**SUNLIGHT**  
creating energy

www.sunlight.gr