

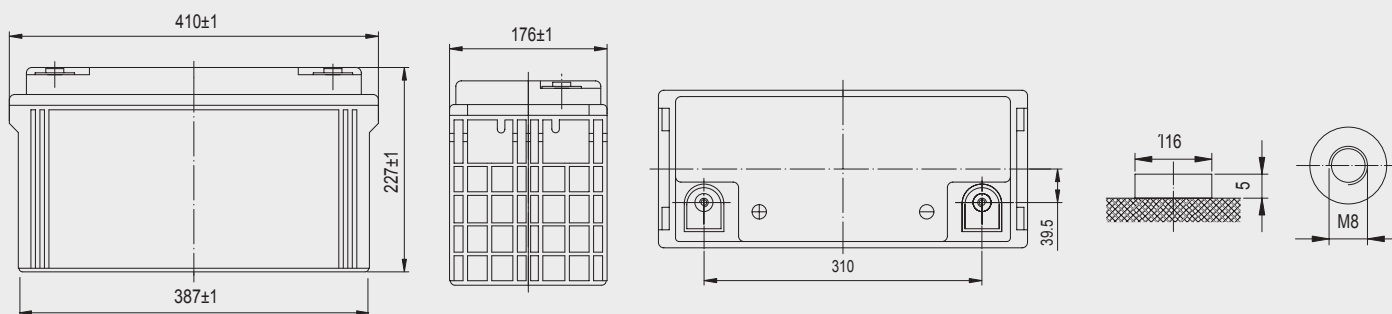


# VRLA Battery **SPHR 12-560W**

<b>Specifications</b>	<b>Nominal Voltage</b>	12 V				
	<b>Rated Capacity (20 °C)</b>	<b>10min Rate (1,60V/cell)</b>	<b>15min Rate (1,60V/cell)</b>	<b>10hr Rate (1,80V/cell)</b>	<b>5hr Rate (1,70V/cell)</b>	<b>1hr Rate (1,60V/cell)</b>
		560 W/cell	460 W/cell	128 Ah	112 Ah	91,6 Ah
	<b>Dimensions (mm) &amp; Weight (kg)</b>	<b>Length</b>	<b>Width</b>	<b>Height</b>	<b>Overall Height</b>	<b>Weight</b>
		410mm	176mm	227mm	227mm	37,70 kg
	<b>Number / Type of Terminals</b>	2 / M8				

## Technical Characteristics

<b>Design Life at 20°C</b>	10 years
<b>Internal Resistance (Fully charged - 20 °C)</b>	3,3 mΩ
<b>Short-circuit current</b>	2700 A
<b>Max Charging Current</b>	36 A
<b>Min safe end Discharge Voltage</b>	1,60 V/cell
<b>Self discharge per month at 20°C</b>	3%
<b>Recommended Charging Voltage at 20°C</b>	Stand-by use (V/cell): 2,25 to 2,30 Cycle use (V/cell): 2,40 to 2,45
<b>Container Material</b>	ABS-UL94 HB
<b>Electrolyte Type</b>	Sulfuric Acid
<b>Type of plates / Alloy</b>	Flat plates / Lead-Calcium-Tin alloy
<b>Type of Separator</b>	Absorbant Glass Mat
<b>Valve Type / Operational Pressure</b>	Rubber / 1-3 psi (70-200 mbar)
<b>Operating Temperature Range</b>	-20 to +50°C
<b>Storage time at 20°C</b>	9 months



### SYSTEMS SUNLIGHT S.A.

#### Headquarters

23<sup>rd</sup> klm. National Road Athens-Lamia  
145 65 Ag. Stefanos Attica, Greece  
Tel.: +30 210 6245400  
Fax: +30 210 6245409

#### Manufacturing Plant

Neo Olvio  
67 200 Xanthi, Greece  
Tel.: +30 25410 48100  
Fax: +30 25410 95446

 **SUNLIGHT**  
creating energy

www.sunlight.gr