



**SVTX** AGM VRLA batteries

 **SUNLIGHT**  
creating energy



[ Energy is what we do ]

# SVTX batteries introduction

## Product Information

The SVTX range of SUNLIGHT Valve Regulated Lead Acid batteries has been designed to provide superior performance in high rate discharges as well as remarkable endurance in low discharge rates, serving in a unique way the needs of both UPS and Telecom applications.

The Valve Regulated Lead Acid (VRLA) battery is a rechargeable battery type with a safety valve, which allows the internal pressure to be released in case of overcharge. This battery type is maintenance free as there is no need for topping-up water or electrolyte during the entire service life.

The SUNLIGHT SVTX range of VRLA batteries features models with capacity from 200 up to 700Ah. They have been designed with long service life and developed to offer an excellent solution for all energy storage and back-up requirements for high rate performance.

## Features of the SVTX range

- Capacity Range: 200Ah to 700Ah
- Design Life: 12+ years at 20°C
- Classified as: Long Life, according to EUROBAT guide 1999
- Configuration: 2V cells

## Quality and Standards

- The SUNLIGHT SVTX batteries comply with the international standards IEC 60896 Part 21/22 and BS6290 Part 4.
- The SUNLIGHT Manufacturing Plant is certified according to ISO 9001:2000 and ISO 14001:2004.
- As a member of EUROBAT organization SUNLIGHT closely monitors the latest developments in the battery industry.
- Products are 100% tested and checked prior to shipment.
- SUNLIGHT SVTX batteries are completely recyclable.



# SVTX batteries

## technical features & applications

### Technical Features

#### High Performance

With excellent high rate performance and optimized capacity-to-volume ratio in comparison to the standard 2V batteries, SVTX models exhibit also reliable performance in low rate discharges.

#### Maintenance free

During the service life, there is no need to check the level of the electrolyte or to add water. The gases produced during electrolysis are almost completely recombined to water (up to 99%) through an effective reaction between hydrogen and oxygen.

#### Safety Valve design

Excessive gas produced by overcharge or an incorrect charging method is released through the safety valve, which detects rising internal pressure and allows gas to exit; then automatically reseals.

#### Separator Technology

The Absorbent Glass Mat (AGM) separator, used in the SUNLIGHT batteries, is a highly porous material, which achieves maximization of oxygen diffusion and facilitates the reaction of active materials in the plates. The separator also maintains a constant distance between the positive and the negative plates and immobilizes the electrolyte, so that the possibility of acid leakage is minimized.

#### Performance on wide temperature range

SUNLIGHT SVTX batteries operate within a wide range of temperature while the optimum temperature is 20°C ~ 25°C.

#### Low Self-discharge Rate

Using a lead / calcium grid alloy, the self-discharge is minimum. The battery can be stored for 9 months under normal conditions (20°C - 25°C) with no permanent effect on the capacity or the expected service life.

#### Leak and spill proof container

The construction of SUNLIGHT battery guarantees that no electrolyte leakage can occur from the terminals or case. A highly resistant plastic material is used, available in either standard ABS (UL94 HB) or flame retardant type (according to UL94 V-0) on request. A double post-sealing system with rubber and resin is applied.

#### Float service life

The expected service life is 12+ years in float/ standby applications (20°C).

#### Multi-position usage

The sealed construction of the battery allows perfect operation in any position (vertical or horizontal but not completely inverted position).

### Applications

- UPS systems
- Telecommunications
- Emergency power supply in power generation/distribution sites and substations
- Railroad signal and communication
- Electrical equipment
- Emergency lighting
- High Reliability applications



## SVTX Series

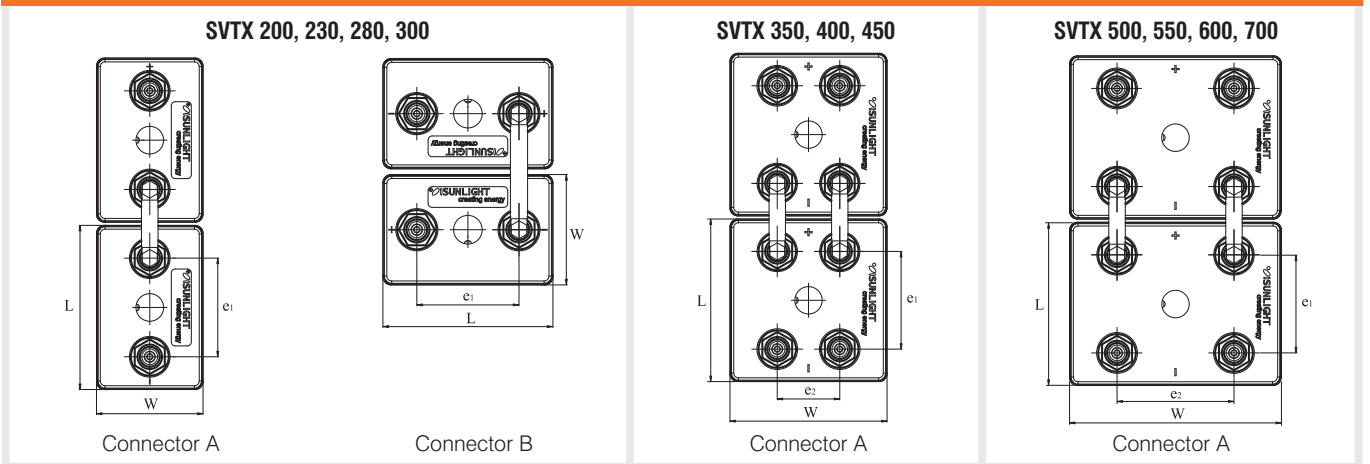
Battery Type	Nominal Voltage (V)	Nominal Capacity (Ah)		Dimensions (mm)						Typical Weight (kg)	Number of Terminals	Terminal Type	Internal Resistance (mΩ)
		10h Rate at 1.80 Vpc (Ah)	10min Rate at 1.60 Vpc (W)	L	W	h	Overall H	e <sub>1</sub>	e <sub>2</sub>				
SVTX 200	2	200	880	208	135	263	272	125	---	14,5	2	M8	0,36
SVTX 230	2	230	980	208	135	263	272	125	---	16	2	M8	0,34
SVTX 280	2	280	1150	208	135	263	272	125	---	17,5	2	M8	0,27
SVTX 300	2	300	1200	208	135	263	272	125	---	18	2	M8	0,26
SVTX 350	2	350	1440	208	201	263	272	125	80	23,5	4	M8	0,20
SVTX 400	2	400	1650	208	201	263	272	125	80	26	4	M8	0,17
SVTX 450	2	450	1840	208	201	263	272	125	80	28	4	M8	0,16
SVTX 500	2	500	2150	208	270	263	272	125	149	32,5	4	M8	0,13
SVTX 550	2	550	2360	208	270	263	272	125	149	35	4	M8	0,12
SVTX 600	2	600	2630	208	270	263	272	125	149	37,5	4	M8	0,11
SVTX 700	2	700	2900	208	270	263	272	125	149	42,5	4	M8	0,11

at 20°C

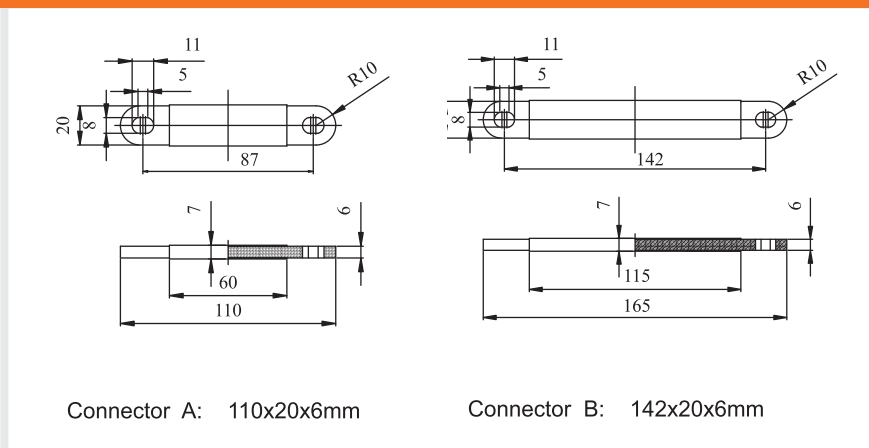
## Terminal Torque Settings

M8 Terminal	8-12 Nm
-------------	---------

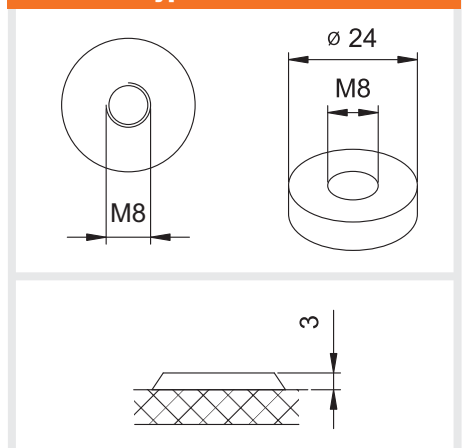
## Connection Drawings

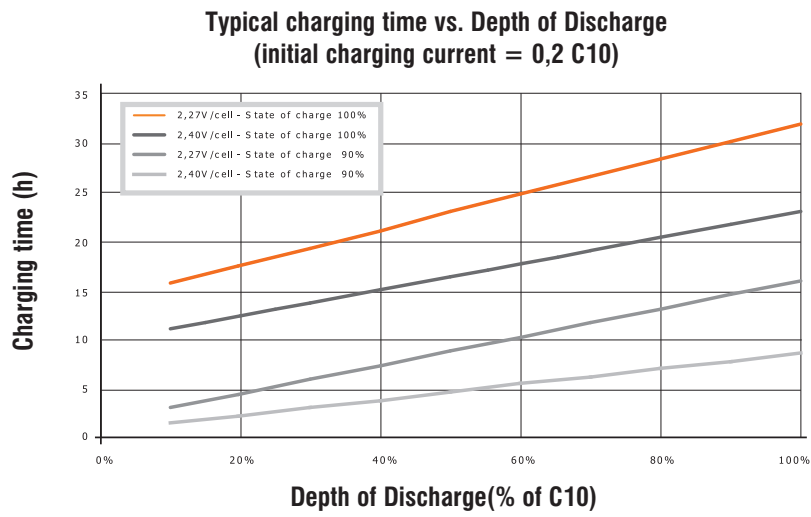
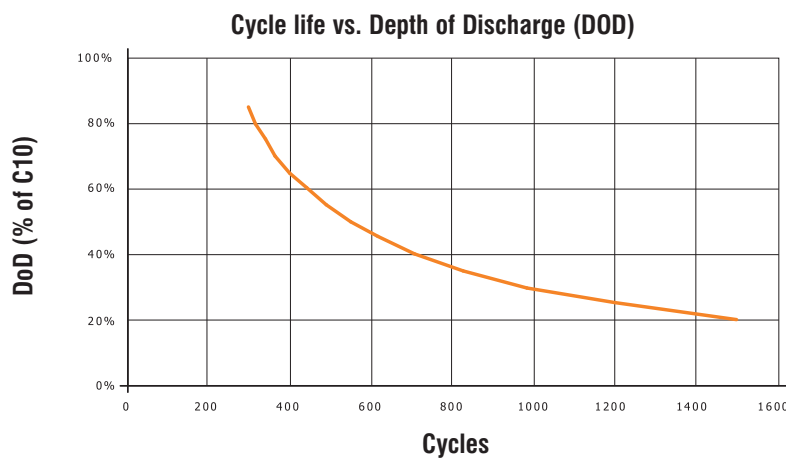
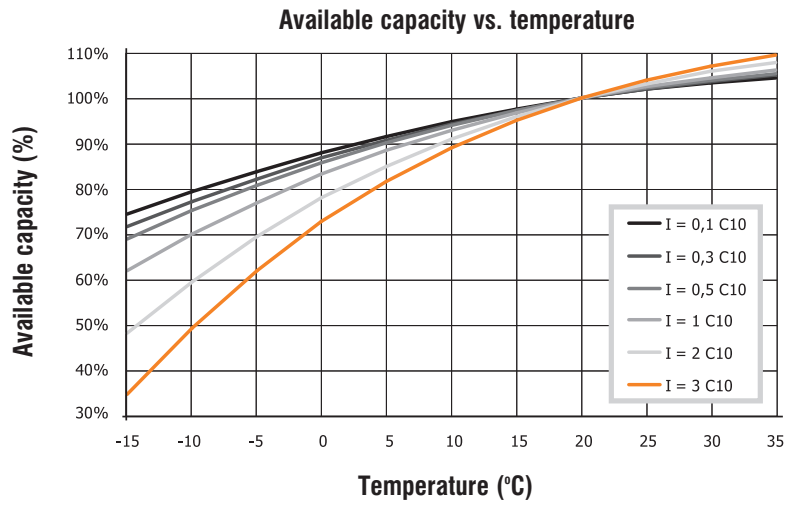


## Connectors

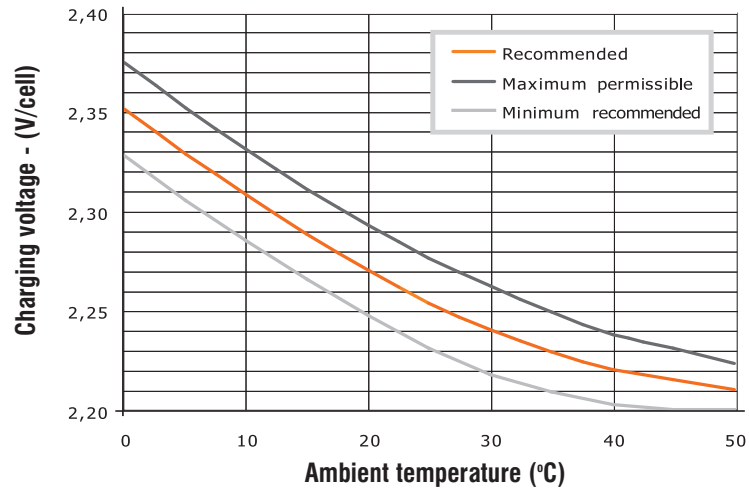


## Terminal Type

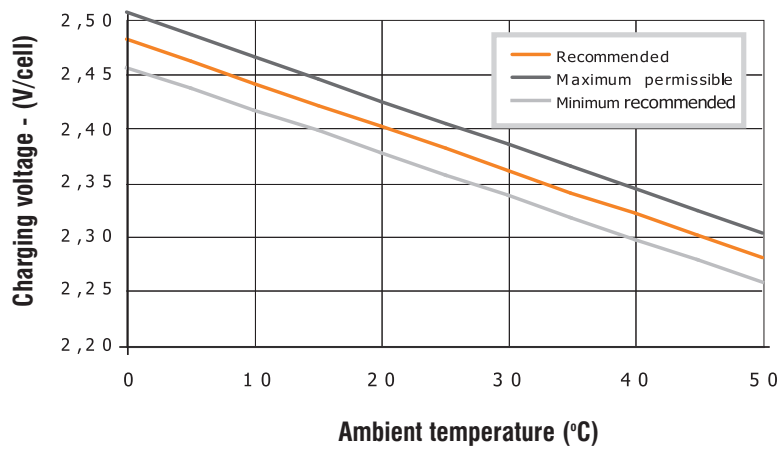




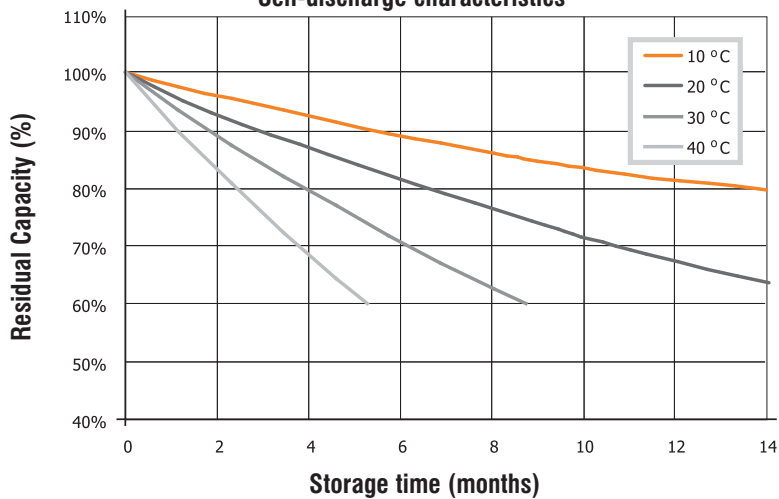
### Charging voltage - Stand by use



### Charging voltage - Cycle use



### Self-discharge characteristics



### Temperature Shelf Life

Temperature	Shelf Life
0 - 20 °C	12 months
21 - 30 °C	7 months
31 - 40 °C	4 months
41 - 50 °C	2,5 months

# Discharge Table in Amperes

End voltage 1.90V pc at 20°C

Type	Time	3 min	5 min	10 min	15 min	20 min	30 min	45 min	1 h	2 h	3 h	5 h	8 h	10 h	20 h
SVTX 200	330	317	276	242	214	168,8	129,9	104,4	61,5	43,6	29,6	20,4	17,6	8,5	
SVTX 230	367	353	307	269	238	189,8	146,8	118,3	69,9	50,1	34,1	23,5	19,7	10,2	
SVTX 280	426	404	355	313	278	227	179,1	144,3	85,3	61,1	41,5	28,7	24,0	12,4	
SVTX 300	439	425	373	328	290	232	179,3	149,0	87,7	64,5	44,1	30,7	26,5	12,7	
SVTX 350	538	518	451	395	349	279	217	177,9	105,7	75,8	52,0	35,9	30,1	15,6	
SVTX 400	607	588	516	454	401	320	248	203	121,0	86,7	59,5	41,1	34,4	17,8	
SVTX 450	677	655	575	507	448	357	277	229	136,2	97,6	67,0	46,2	38,8	20,1	
SVTX 500	770	749	671	594	525	417	323	259	152,9	109,6	74,5	51,4	43,1	22,3	
SVTX 550	846	824	738	653	578	459	353	283	167,5	120,0	81,6	56,3	47,2	24,4	
SVTX 600	931	906	821	734	649	513	393	316	184,8	131,0	89,1	61,5	51,6	26,7	
SVTX 700	1022	998	917	820	725	570	435	345	201,5	142,0	96,3	66,6	57,3	29,2	

End voltage 1.85V pc at 20°C

Type	Time	3 min	5 min	10 min	15 min	20 min	30 min	45 min	1 h	2 h	3 h	5 h	8 h	10 h	20 h
SVTX 200	437	400	332	283	245	189,4	144,5	116,9	67,3	47,6	33,1	22,4	19,0	9,7	
SVTX 230	486	446	370	315	273	213	163,3	132,4	76,6	54,7	38,0	25,8	21,8	11,1	
SVTX 280	554	513	427	366	321	255	199,2	161,5	93,5	66,8	46,3	31,5	26,3	13,6	
SVTX 300	582	539	449	385	333	260	199,4	162,6	97,2	70,2	49,2	33,7	28,5	14,5	
SVTX 350	714	654	542	463	401	313	241	199,1	115,9	82,8	58,0	39,3	32,9	17,0	
SVTX 400	805	745	621	532	461	360	276	228	132,5	94,7	66,4	45,1	37,7	19,2	
SVTX 450	898	831	693	594	514	401	308	256	149,2	106,6	74,7	50,7	42,4	21,9	
SVTX 500	1020	954	808	696	603	468	359	290	167,6	119,7	83,1	56,4	47,1	24,3	
SVTX 550	1122	1050	889	766	663	515	393	317	183,6	131,1	91,0	61,8	51,6	26,6	
SVTX 600	1234	1167	988	860	745	575	437	353	202,4	143,2	99,4	67,5	56,4	29,1	
SVTX 700	1355	1295	1105	963	835	640	483	387	220,3	155,0	107,8	73,0	62,0	31,6	

Design and/or specifications are subject to change without prior notice. For clarifications and updated information, please contact your local SUNLIGHT sales representative.



# Discharge Table in Amperes

End voltage 1.80V pc at 20°C

Type	Time	3 min	5 min	10 min	15 min	20 min	30 min	45 min	1 h	2 h	3 h	5 h	8 h	10 h	20 h
SVTX 200	530	476	377	315	270	206	153,0	124,2	71,4	51,5	34,8	23,5	20,0	10,4	
SVTX 230	590	530	420	351	300	232	172,9	140,7	81,2	59,2	40,0	27,0	23,0	12,0	
SVTX 280	671	609	485	407	351	276	209	171,6	99,1	72,3	48,7	32,9	28,0	14,4	
SVTX 300	706	640	510	428	367	283	211	172,8	104,1	75,9	51,7	35,3	30,0	15,4	
SVTX 350	865	778	616	514	441	341	255	212	122,8	89,6	61,0	41,0	35,0	18,2	
SVTX 400	976	886	705	592	507	392	292	242	140,5	102,5	69,8	47,0	40,0	20,8	
SVTX 450	1088	988	787	660	566	437	326	272	158,1	115,4	78,6	52,9	45,0	23,4	
SVTX 500	1237	1135	918	774	663	510	380	308	177,6	129,6	87,4	58,8	50,0	26,0	
SVTX 550	1361	1248	1010	851	729	561	416	337	194,6	141,9	95,7	64,5	55,0	28,6	
SVTX 600	1496	1387	1122	956	819	627	462	375	215	154,9	104,5	70,5	60,0	31,2	
SVTX 700	1638	1540	1255	1070	918	697	510	410	233	167,6	113,4	76,0	70,0	35,5	

End voltage 1.75V pc at 20°C

Type	Time	3 min	5 min	10 min	15 min	20 min	30 min	45 min	1 h	2 h	3 h	5 h	8 h	10 h	20 h
SVTX 200	616	539	415	336	283	213	157,8	127,9	73,4	53,3	35,7	23,9	20,3	10,9	
SVTX 230	686	600	462	374	315	239	178,4	144,8	83,6	61,2	41,1	27,4	23,2	12,5	
SVTX 280	781	691	533	434	370	286	217	176,6	102,0	74,7	50,1	33,5	28,2	15,0	
SVTX 300	821	726	560	456	385	292	218	177,9	107,7	78,3	53,2	35,9	30,5	16,1	
SVTX 350	1007	881	678	548	463	351	263	218	126,4	92,6	62,8	41,9	35,4	19,0	
SVTX 400	1135	1004	776	631	532	403	301	249	144,6	105,9	71,8	47,9	40,5	21,6	
SVTX 450	1266	1120	866	704	594	450	336	280	162,8	119,2	80,8	54,0	45,5	24,3	
SVTX 500	1439	1286	1010	825	696	525	392	317	182,8	133,9	89,9	60,0	50,6	27,0	
SVTX 550	1537	1387	1100	908	766	578	429	347	200	146,6	98,4	65,7	55,5	29,7	
SVTX 600	1670	1533	1222	1019	860	645	477	386	221	160,1	107,5	71,8	60,6	32,5	
SVTX 700	1830	1700	1365	1140	967	718	527	423	241	173,5	116,5	77,7	70,8	36,0	

# Discharge Table in Amperes

End voltage 1.70V pc at 20°C

Type	Time	3 min	5 min	10 min	15 min	20 min	30 min	45 min	1 h	2 h	3 h	5 h	8 h	10 h	20 h
SVTX 200	700	602	443	352	290	217	162,7	131,5	75,9	54,5	36,5	24,2	20,7	11,1	
SVTX 230	780	670	493	391	323	244	183,9	148,9	86,4	62,6	41,9	27,9	23,4	12,8	
SVTX 280	888	770	570	455	382	294	224	181,7	105,4	76,4	51,2	34,0	28,5	15,5	
SVTX 300	933	810	599	478	395	298	225	183,0	110,1	80,1	54,3	36,4	31,1	16,6	
SVTX 350	1145	983	724	574	475	359	271	224	130,6	94,7	64,1	42,6	35,7	19,5	
SVTX 400	1290	1120	829	661	546	413	310	256	149,4	108,3	73,3	48,7	40,9	22,3	
SVTX 450	1439	1249	924	737	609	460	346	288	168,2	121,9	82,5	54,8	46,0	25,1	
SVTX 500	1605	1420	1078	864	714	537	404	326	188,9	136,9	91,7	60,9	51,1	27,9	
SVTX 550	1745	1547	1175	950	785	591	442	357	207	150,0	100,5	66,7	56,0	30,7	
SVTX 600	1898	1710	1305	1066	882	660	492	397	228	163,8	109,7	72,9	61,2	33,5	
SVTX 700	2085	1900	1460	1195	992	735	543	435	249	177,5	118,8	78,7	71,5	36,7	

End voltage 1.65V pc at 20°C

Type	Time	3 min	5 min	10 min	15 min	20 min	30 min	45 min	1 h	2 h	3 h	5 h	8 h	10 h	20 h
SVTX 200	775	660	471	368	300	222	166,9	134,6	77,0	55,3	36,7	24,5	20,9	11,2	
SVTX 230	863	735	525	408	334	250	189	152	87,6	63,6	42,2	28,1	23,6	12,9	
SVTX 280	982	845	606	474	394	301	229	185,9	106,9	77,6	51,5	34,3	28,8	15,6	
SVTX 300	1032	888	637	498	408	305	230	187,2	111,6	81,3	54,6	36,8	31,4	16,7	
SVTX 350	1266	1079	770	598	491	367	278	229	132,5	96,2	64,5	43,0	36,1	19,6	
SVTX 400	1428	1229	881	688	564	422	319	262	151,6	110,0	73,8	49,2	41,3	22,4	
SVTX 450	1592	1370	983	768	629	471	355	295	170,6	123,9	83,0	55,4	46,4	25,2	
SVTX 500	1773	1560	1146	900	738	549	415	333	191,6	139,1	92,3	61,5	51,6	28,0	
SVTX 550	1930	1697	1248	990	812	604	454	365	210	152,4	101,1	67,4	56,6	30,8	
SVTX 600	2100	1877	1388	1112	912	675	504	407	231	166,4	110,4	73,6	61,8	33,6	
SVTX 700	2300	2085	1550	1245	1027	750	558	445	252	180,0	119,5	79,8	71,7	36,5	

Design and/or specifications are subject to change without prior notice. For clarifications and updated information, please contact your local SUNLIGHT sales representative.

# Discharge Table in Amperes

End voltage 1.60V pc at 20°C

	Time	3 min	5 min	10 min	15 min	20 min	30 min	45 min	1 h	2 h	3 h	5 h	8 h	10 h	20 h
Type	SVTX 200	820	692	490	380	305	227	168,7	135,8	77,4	55,6	36,7	24,5	20,9	11,2
	SVTX 230	914	770	545	420	340	255	191	153,8	88,0	63,9	42,2	28,1	23,6	12,9
	SVTX 280	1040	886	635	490	406	308	231	187,6	107,4	77,9	51,5	34,3	28,8	15,6
	SVTX 300	1092	931	665	515	415	312	233	188,9	112,8	81,9	54,6	36,8	31,4	16,7
	SVTX 350	1340	1131	800	615	499	375	281	231	133,1	96,6	64,5	43,0	36,1	19,6
	SVTX 400	1511	1288	915	710	574	431	322	265	152,3	110,5	73,8	49,2	41,3	22,4
	SVTX 450	1685	1436	1020	790	640	481	359	298	171,4	124,4	83,0	55,4	46,4	25,2
	SVTX 500	1875	1635	1190	930	750	561	419	336	192,5	139,7	92,3	61,5	51,6	28,0
	SVTX 550	2043	1778	1300	1020	825	617	459	368	210,9	153,0	101,1	67,4	56,6	30,8
	SVTX 600	2223	1967	1433	1145	926	690	510	410	233	167,1	110,4	73,6	61,8	33,6
	SVTX 700	2445	2180	1600	1280	1040	765	565	450	253	181,0	119,7	79,8	71,9	36,5

# Discharge Table in Watts/cell

End voltage 1.90V pc at 20°C

	Time	3 min	5 min	10 min	15 min	20 min	30 min	45 min	1 h	2 h	3 h	5 h	8 h	10 h
Type	SVTX 200	632	610	534	471	416	332	256	208	122	86,5	58,8	40,8	35,1
	SVTX 230	704	679	594	525	463	373	289	235	139	99,4	67,5	46,9	40,3
	SVTX 280	817	777	687	609	542	446	350	287	169	121	82,4	57,2	49,2
	SVTX 300	842	817	722	640	566	456	353	297	174	128	87,4	61,3	52,7
	SVTX 350	1033	997	872	770	680	548	426	354	210	150	103	71,6	61,6
	SVTX 400	1165	1130	998	886	782	630	488	405	240	172	118	82,0	70,5
	SVTX 450	1299	1260	1113	988	873	703	544	456	270	194	133	92,3	79,4
	SVTX 500	1476	1440	1299	1158	1023	820	635	515	304	217	148	103	88,2
	SVTX 550	1624	1584	1429	1274	1125	902	695	564	333	238	162	112	96,6
	SVTX 600	1785	1742	1588	1430	1264	1008	773	628	367	260	177	123	106
SVTX 700	1960	1920	1775	1600	1415	1120	855	688	400	282	191	133	114	

End voltage 1.85V pc at 20°C

	Time	3 min	5 min	10 min	15 min	20 min	30 min	45 min	1 h	2 h	3 h	5 h	8 h	10 h
Type	SVTX 200	816	754	628	542	471	371	285	231	134	94,7	65,3	44,9	38,0
	SVTX 230	909	839	699	603	525	417	323	262	152	109	75,1	51,6	43,6
	SVTX 280	1035	965	808	701	616	500	392	319	186	133	91,5	62,9	53,2
	SVTX 300	1088	1014	849	737	640	510	394	321	193	140	97,1	67,4	57,0
	SVTX 350	1334	1232	1026	885	770	613	476	393	230	165	115	78,8	66,6
	SVTX 400	1504	1403	1175	1019	886	705	545	450	263	188	131	90,2	76,2
	SVTX 450	1678	1565	1310	1136	988	786	607	507	297	212	148	101	85,8
	SVTX 500	1907	1797	1529	1332	1158	917	709	572	333	238	164	113	95,4
	SVTX 550	2097	1977	1681	1465	1274	1009	776	627	365	261	180	124	105
	SVTX 600	2306	2197	1869	1645	1430	1127	862	698	402	285	196	135	114
SVTX 700	2530	2437	2090	1843	1605	1252	953	765	438	308	213	146	124	

Design and/or specifications are subject to change without prior notice. For clarifications and updated information, please contact your local SUNLIGHT sales representative.

# Discharge Table in Watts/cell

End voltage 1.80V pc at 20°C

	Time	3 min	5 min	10 min	15 min	20 min	30 min	45 min	1 h	2 h	3 h	5 h	8 h	10 h
Type	SVTX 200	970	883	714	601	514	398	302	244	142	101,2	69,0	46,5	39,6
	SVTX 230	1080	983	795	669	573	448	342	276	161	116	79,3	53,5	45,5
	SVTX 280	1229	1131	919	777	669	533	405	330	198	142	96,7	65,2	55,5
	SVTX 300	1292	1188	966	817	699	547	417	339	207	149	103	69,9	59,6
	SVTX 350	1585	1443	1167	982	840	657	504	415	244	176	121	81,7	69,5
	SVTX 400	1787	1644	1336	1129	967	756	577	475	279	201	139	93,4	79,5
	SVTX 450	1993	1833	1490	1260	1078	843	644	534	314	227	156	105	89,5
	SVTX 500	2265	2106	1738	1477	1264	984	751	603	352	254	173	117	99,5
	SVTX 550	2491	2316	1912	1625	1390	1082	822	661	386	279	190	128	109
	SVTX 600	2739	2575	2126	1825	1561	1209	914	736	426	304	207	140	119
SVTX 700	3000	2855	2380	2043	1750	1345	1010	805	463	329	225	151	129	

End voltage 1.75V pc at 20°C

	Time	3 min	5 min	10 min	15 min	20 min	30 min	45 min	1 h	2 h	3 h	5 h	8 h	10 h
Type	SVTX 200	1111	988	777	636	542	414	313	253	146	104,1	70,6	47,3	39,8
	SVTX 230	1237	1100	866	708	603	465	354	287	166	120	81,1	54,4	45,7
	SVTX 280	1408	1267	999	822	708	557	429	350	202	146	99,0	66,4	55,8
	SVTX 300	1480	1331	1050	864	737	568	432	352	214	153	105	71,1	59,8
	SVTX 350	1815	1617	1270	1039	885	683	522	431	251	181	124	83,1	69,9
	SVTX 400	2047	1841	1454	1195	1019	785	597	494	287	207	142	95,1	79,9
	SVTX 450	2283	2054	1622	1333	1136	876	666	556	323	233	160	107	90,0
	SVTX 500	2594	2359	1892	1563	1332	1022	777	627	363	262	177	119	100
	SVTX 550	2770	2543	2060	1719	1465	1124	850	687	397	287	194	130	110
	SVTX 600	3012	2812	2290	1931	1645	1256	945	766	438	313	212	142	120
SVTX 700	3300	3120	2560	2160	1850	1397	1045	838	477	339	230	154	130	

# Discharge Table in Watts/cell

End voltage 1.70V pc at 20°C

Time	3 min	5 min	10 min	15 min	20 min	30 min	45 min	1 h	2 h	3 h	5 h	8 h	10 h
SVTX 200	1240	1087	820	660	554	418	316	257	148	105	71,4	47,7	40,2
SVTX 230	1381	1211	914	734	616	470	358	291	169	121	82,1	54,9	46,2
SVTX 280	1572	1392	1056	853	728	565	433	355	206	148	100,1	66,9	56,4
SVTX 300	1652	1463	1110	896	753	573	437	358	215	155	106	71,7	60,4
SVTX 350	2027	1777	1341	1077	905	689	528	438	255	183	125	83,8	70,6
SVTX 400	2285	2024	1535	1240	1041	793	604	501	292	209	143	95,9	80,7
SVTX 450	2549	2257	1712	1383	1161	885	674	564	328	236	161	108	90,9
SVTX 500	2840	2567	1997	1621	1361	1032	786	636	369	265	180	120	101
SVTX 550	3090	2795	2175	1783	1497	1135	860	697	404	290	197	131	111
SVTX 600	3360	3090	2417	2000	1681	1268	956	777	445	317	215	144	121
SVTX 700	3690	3430	2700	2240	1890	1410	1057	850	485	343	233	155	131

End voltage 1.65V pc at 20°C

Time	3 min	5 min	10 min	15 min	20 min	30 min	45 min	1 h	2 h	3 h	5 h	8 h	10 h
SVTX 200	1347	1170	859	683	561	422	319	259	149	106	71,8	48,2	40,4
SVTX 230	1500	1303	957	756	625	474	360	293	169	122	82,6	55,4	46,4
SVTX 280	1707	1498	1106	879	737	571	437	358	207	149	101	67,5	56,6
SVTX 300	1794	1574	1163	923	763	579	440	360	216	156	107	72,3	60,7
SVTX 350	2200	1912	1405	1110	917	696	531	441	256	184	126	84,5	70,9
SVTX 400	2481	2177	1608	1277	1055	801	608	505	293	211	144	96,7	81,1
SVTX 450	2767	2429	1793	1424	1177	893	678	568	330	237	162	109	91,3
SVTX 500	3080	2762	2092	1670	1380	1042	791	641	371	267	181	121	102
SVTX 550	3355	3007	2278	1837	1518	1146	866	703	406	292	198	133	111
SVTX 600	3650	3325	2532	2063	1705	1281	962	783	448	319	216	145	121
SVTX 700	4000	3690	2830	2310	1920	1425	1065	857	488	345	234	157	132

Design and/or specifications are subject to change without prior notice. For clarifications and updated information, please contact your local SUNLIGHT sales representative.

# Discharge Table in Watts/cell

End voltage 1.60V pc at 20oC

	Time	3 min	5 min	10 min	15 min	20 min	30 min	45 min	1 h	2 h	3 h	5 h	8 h	10 h
	SVTX 200	1410	1213	880	700	565	426	320	261	150	107	71,8	48,2	40,4
	SVTX 230	1570	1351	980	770	630	479	362	295	170	122	82,6	55,4	46,4
	SVTX 280	1785	1553	1150	900	753	578	441	360	208	149	101	67,5	56,6
	SVTX 300	1877	1632	1200	940	769	585	442	363	218	157	107	72,3	60,7
Type	SVTX 350	2303	1982	1440	1130	924	703	534	444	258	185	126	84,5	70,9
	SVTX 400	2596	2258	1650	1300	1063	808	611	508	295	212	144	96,7	81,1
	SVTX 450	2895	2518	1840	1450	1186	902	681	572	332	238	162	109	91,3
	SVTX 500	3220	2865	2150	1700	1390	1052	795	645	373	268	181	121	102
	SVTX 550	3510	3118	2340	1870	1529	1157	870	707	408	293	198	133	111
	SVTX 600	3820	3448	2600	2100	1717	1293	967	788	450	320	216	145	121
	SVTX 700	4200	3820	2900	2350	1935	1440	1070	862	490	347	234	157	132

Design and/or specifications are subject to change without prior notice. For clarifications and updated information, please contact your local SUNLIGHT sales representative.



[www.sunlight.gr](http://www.sunlight.gr)

## SUNLIGHT MANUFACTURING PLANT

The SUNLIGHT Manufacturing Plant is headquartered in Northern Greece. Since 1991, there has been a systematic investment in the development of one of the most modern industrial units of Europe in accordance with the strictest international standards.

In a total area of 142,000 m<sup>2</sup>, with indoor areas of more than 40,000 m<sup>2</sup>, the SUNLIGHT Manufacturing Plant has six high-end production units that are recognized for their high specialization.

Aiming at the production of high added value and quality products, the production and assembly lines of the SUNLIGHT Industrial Unit are used for:

- Cylindrical Zinc-Chloride cells such as R6HD (AA), R14HD (C) and R20HD (D) sizes.
- Advanced Lead-Acid batteries for submarine propulsion.
- Silver-Zinc batteries for combat and exercise torpedoes.
- Stationary and traction Lead-Acid batteries (vented type).
- Sealed Lead-Acid Batteries (VRLA).
- Autonomous Photovoltaic Hybrid Power Supply Systems.
- Battery packs for military and commercial applications.
- Assembly of Power Supply Systems for telecommunication applications.
- Assembly of Uninterruptible Power Systems (UPS).
- Assembly of Industrial Rectifiers.
- Assembly of Generating Sets ranging from 5 to 3,000 KVA.

## MANAGEMENT SYSTEMS for QUALITY, ENVIRONMENTAL CONTROL, OCCUPATIONAL HEALTH & SAFETY

The SUNLIGHT Manufacturing Plant has established and maintains management systems for Quality (ISO 9001), Environmental control (ISO 14001) and Occupational Health and Safety (OHSAS 18001).

comrade design



### • SYSTEMS SUNLIGHT S.A. Headquarters

23rd Km. N.R. Athens - Lamia, 145 65 Ag. Stefanos - Attica, Greece  
Tel.: +30 210 62 45 400, Fax: +30 210 62 45 409

### • SYSTEMS SUNLIGHT S.A. Manufacturing Plant

Neo Olvio 67 200 Xanthi, Greece  
Tel.: +30 25410 48100, Fax: +30 25410 95446

### • SUNLIGHT INDUSTRIAL S.R.L. (Romania)

2-4, Brânduselor Street, Sector 3, Bucharest, Romania  
Tel.: +40 21 3517777, Fax: +40 21 3617333

### • SUNLIGHT INDUSTRIAL EOOD (Bulgaria)

P.O. 1715 "MIADOST" 4 - 1 Business Park, Sofia Str., Bldg.11A - Floor 4  
Bulgaria Tel.: +359 2 8079 190, Fax: +359 2 8079 188

### • SUNLIGHT POLSKA Sp.zo.o

Szyszkowa 34 str., 02-285 Warsaw, Poland  
Tel.: +48 22 5758227, Fax: +48 22 5758258

### • SUNLIGHT UKRAINE S.R.L.

18/14 Hvoiki Str., block 25, office 401, Kiev- 04080 - Ukraine  
Tel.: +380 44 463 5735, Fax: +380 44 463 5735

### • SUNLIGHT INDUSTRIAL doo (Serbia)

Bulevar Vojvode Misica 37, II floor - 11000 Beograd-Serbia  
Tel.: +381 11 3063 950, Fax: +381 11 3063 959

### • SUNLIGHT SYSTEMS FRANCE S.R.L.

Hyde Park - Le Westminster, 12 Allée Rosa Luxembourg  
95610 Eragny Sur Oise, France  
Tel.: +33 1 344 01634, Fax: +33 1 344 01639

### • SUNLIGHT GERMANY

Elbestrasse 10 (TechnoMarl), D-45768 Marl, Germany  
Tel.: +49 2365 91 51 75, Fax: +49 2365 20 59 10

### • SUNLIGHT SPAIN

Avenida Del Mediterraneo 9-2º D 28007 Madrid - Spain  
Tel.: +34 91 43 43 890, Fax: +34 91 43 44 070

### • SUNLIGHT MIDDLE EAST - AFRICA

15 El - Hassan Str. Dokki Giza, Egypt  
Tel.: +20 2 33 800 59, Fax: +20 2 33 652 93

